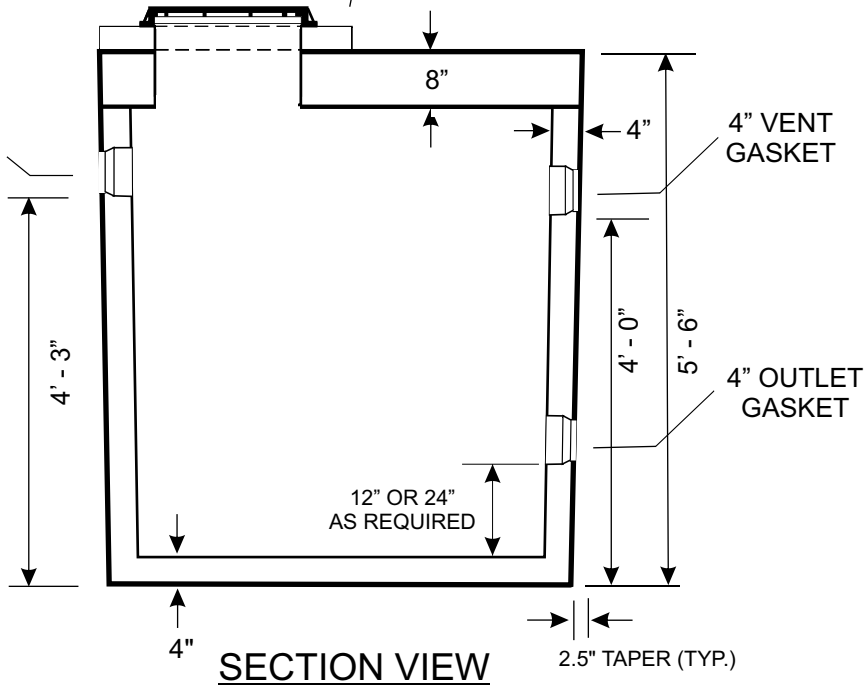


24" DIA. CAST IRON  
FRAME & COVER

CONCRETE GRADE RING  
AS REQUIRED

4" INLET  
GASKET

4" VENT  
GASKET



**SECTION VIEW**

2.5" TAPER (TYP.)

**ADDITIONAL NOTES:**

LOWER OUTLET IS LOCATED 24" FROM THE BOTTOM FOR SAND INTERCEPTOR, 12" FROM THE BOTTOM FOR GREASE OR OIL INTERCEPTOR



www.baystarprecast.weebly.com

Since  
1989

925 Skinners Turn Road  
Owings, Maryland 20736-0959

410.257.6777 FAX: 410.257.1312  
e-mail: baystarprecast@gmail.com

**500 GAL WSSC  
GREASE, OIL OR SAND INTERCEPTOR  
HEAVY DUTY TRAFFIC RATED**

**GENERAL NOTES:** CONCRETE STRENGTH 5000 PSI AT 28 DAYS;  
STRUCTURE MFG IN ACCORDANCE WITH ASTM C1613;  
DESIGNED FOR MAXIMUM 5' COVER

REV043014

500 WSSC

NO SCALE