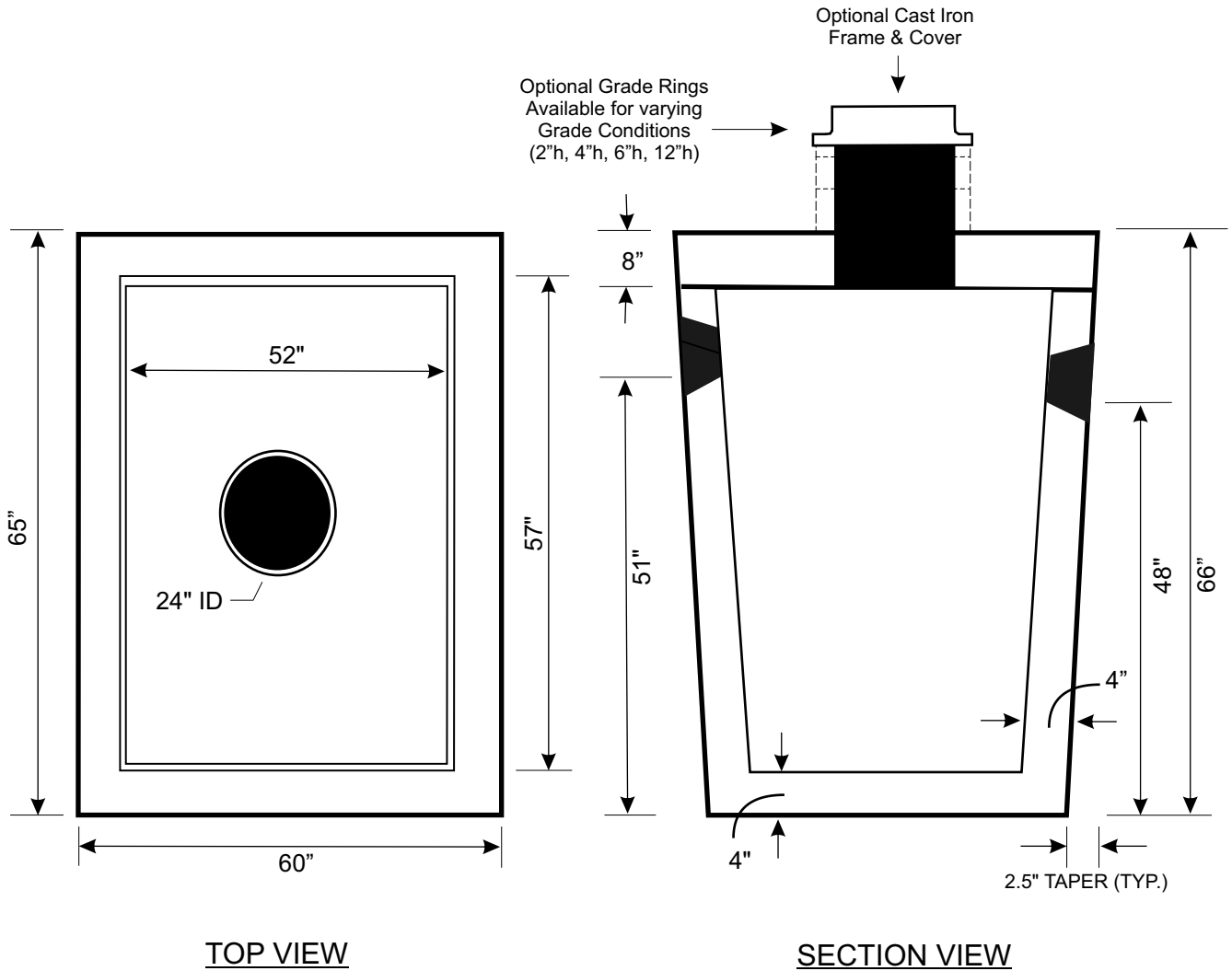


500 GALLON PUMP PIT

Traffic Bearing



TOP VIEW

SECTION VIEW



www.baystarprecast.weebly.com

Since 1989

925 Skidders Turn Road
Owings, Maryland 20736-0959

410.257.6777 FAX: 410.257.1312
e-mail: baystarprecast@gmail.com

500 GALLON PUMP PIT

Traffic Bearing

GENERAL NOTES: CONCRETE STRENGTH 4000 PSI AT 28 DAYS

REINFORCING DETAIL: 6X6 # 10 GAUGE WIRE MESH;
TOP HAS #3 A DOUBLE MAT OF #3 BAR 6" O/C.;
SIDES AND BOTTOM HAVE #3 BAR 12" O/C.

REV043014

500 PP
Traffic

Drawing not
to scale

rev042004