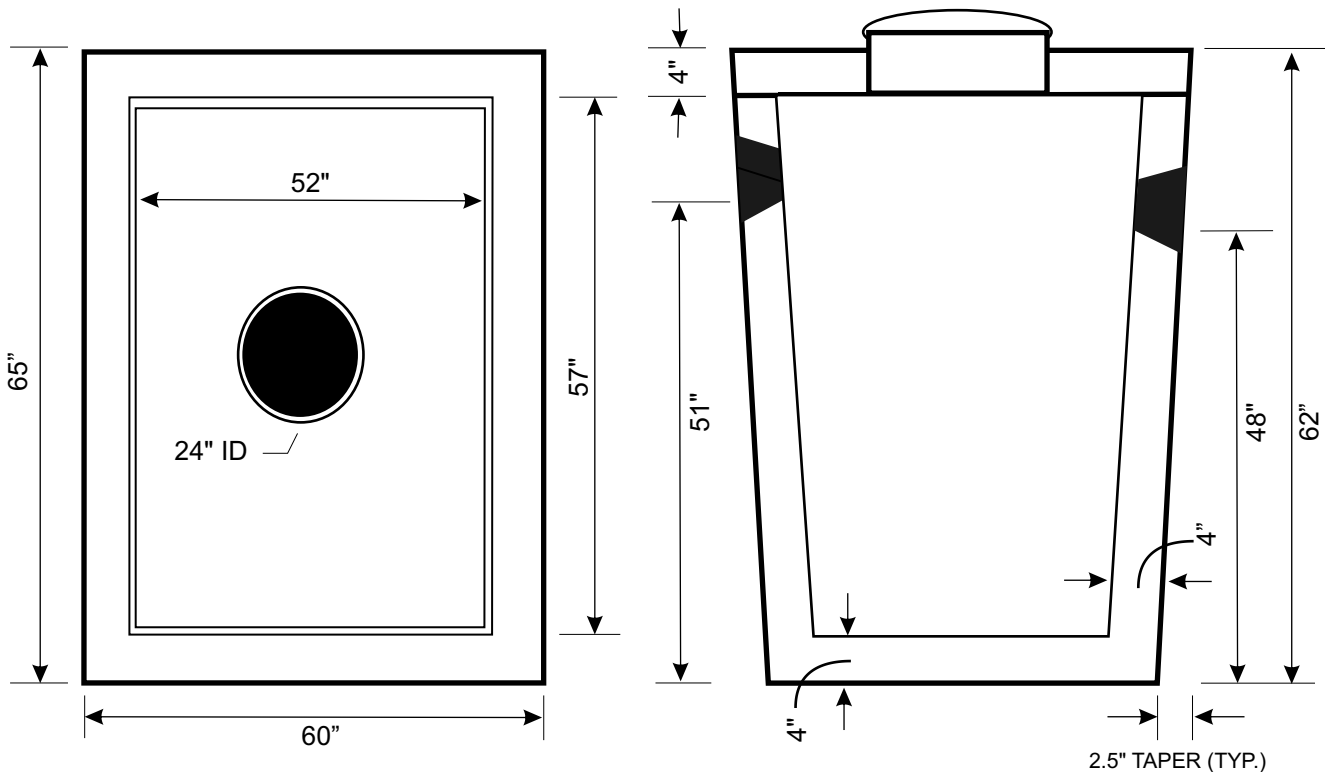


500 GALLON PUMP PIT

Optional Risers Available
For Varying Grade
Conditions (6"h & 12"h)



TOP VIEW

SECTION VIEW

www.baystarprecast.weebly.com



Since 1989

925 Skinners Turn Road
Owings, Maryland 20736-0959

410.257.6777 FAX: 410.257.1312
e-mail: baystarprecast@gmail.com

500 GALLON PUMP PIT Non-Traffic

GENERAL NOTES: CONCRETE STRENGTH 4000 PSI AT 28 DAYS

REINFORCING DETAIL: 6X6 # 10 GAUGE WIRE MESH; TOP HAS #3 BAR 6" O/C; SIDES AND BOTTOM HAVE #3 BAR 12" O/C.

REV043014	500 PP Non-Traffic	Drawing not to scale
-----------	-----------------------	-------------------------

rev042004