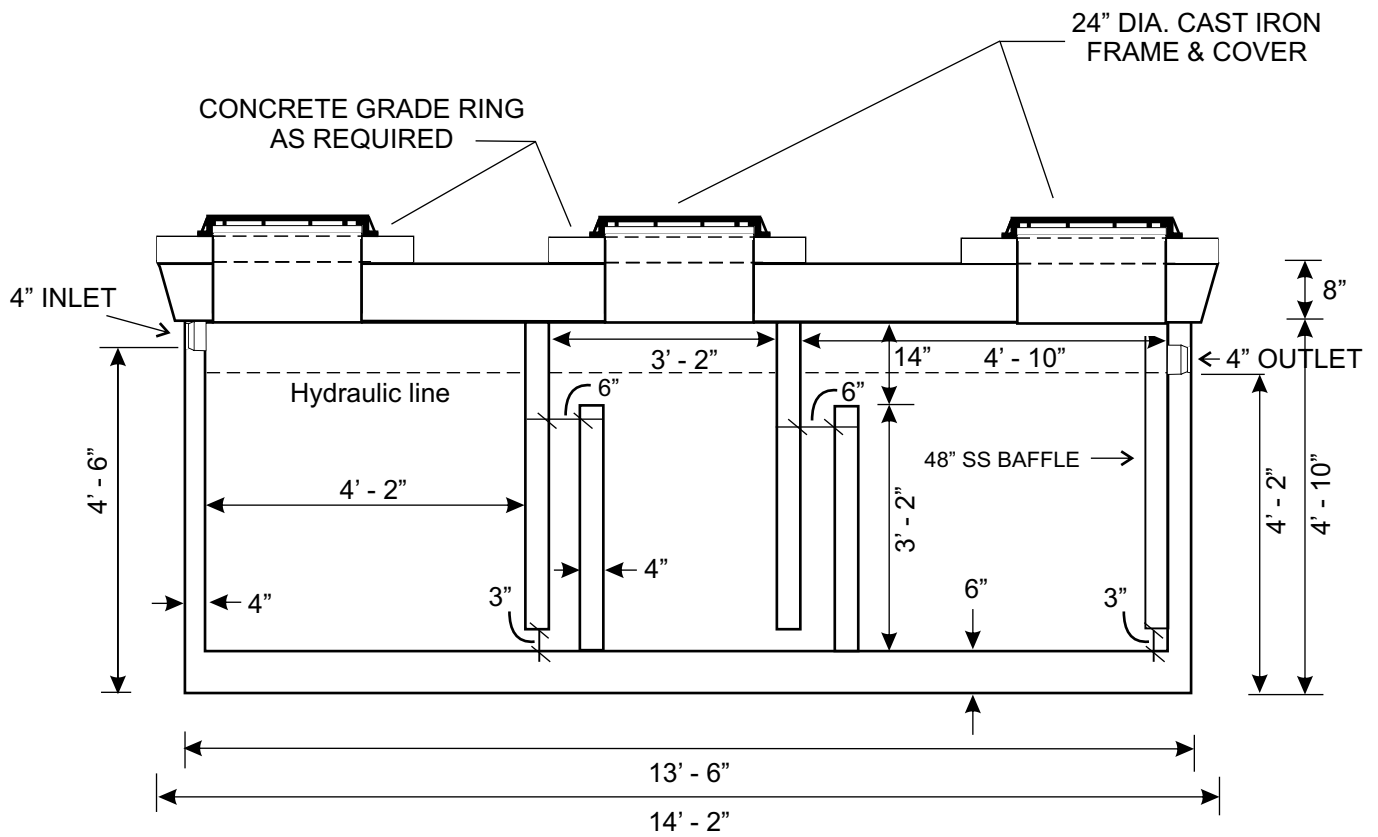


PLAN VIEW



SECTION VIEW

STAINLESS STEEL BAFFLE W/ ALUMINUM TRACKS
STANDARD 4" INLET; 6" OR 8" BY SPECIAL ORDER ONLY



www.baystarprecast.weebly.com

Since 1989

925 Skidders Turn Road Owings, Maryland 20736-0959 410.257.6777 FAX: 410.257.1312 e-mail: baystarprecast@gmail.com

1600 GALLON WSSC SAND/OIL INTERCEPTOR

OPTIONAL GRADE RINGS ARE AVAILABLE IN VARIOUS HEIGHTS TO SUIT GRADE CONDITIONS: 2", 4", 6" AND 12".

MAXIMUM 5' COVER

REV043014

1600 WSSC SOI

NO SCALE