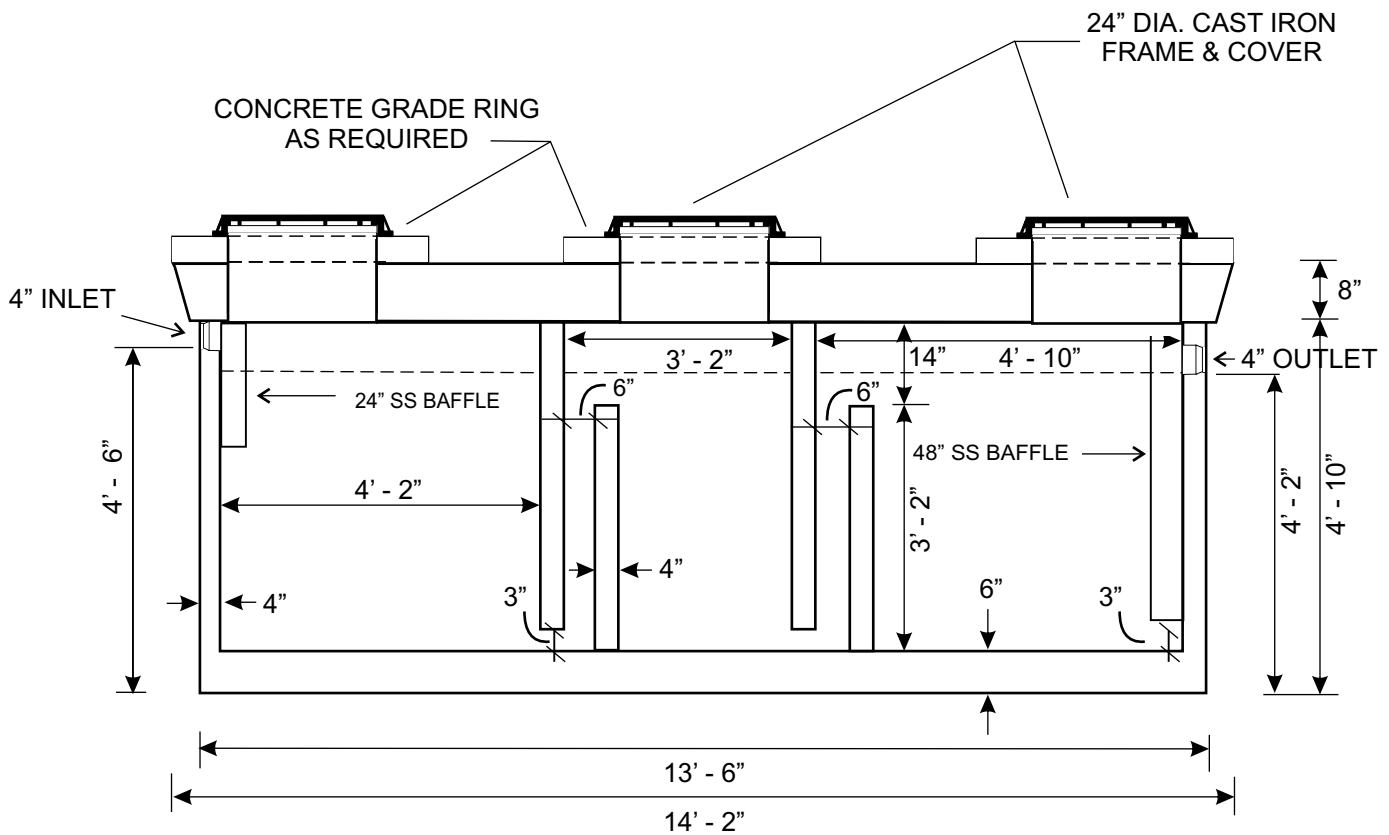


**PLAN VIEW**



**SECTION VIEW**

STAINLESS STEEL BAFFLES W/ALUMINUM TRACKS  
 STANDARD 4" INLET; 6" OR 8" INLET BY SPECIAL ORDER



www.baystarprecast.weebly.com

Since 1989

925 Skidders Turn Road  
 Owings, Maryland 20736-0959

410.257.6777 FAX: 410.257.1312  
 e-mail: baystarprecast@gmail.com

**1600 GALLON WSSC GREASE INTERCEPTOR**

OPTIONAL GRADE RINGS ARE AVAILABLE IN VARIOUS HEIGHTS TO SUIT  
 GRADE CONDITIONS: 2", 4", 6" AND 12".

MAXIMUM 5' COVER

REV043014

1600 WSSC GI

NO SCALE