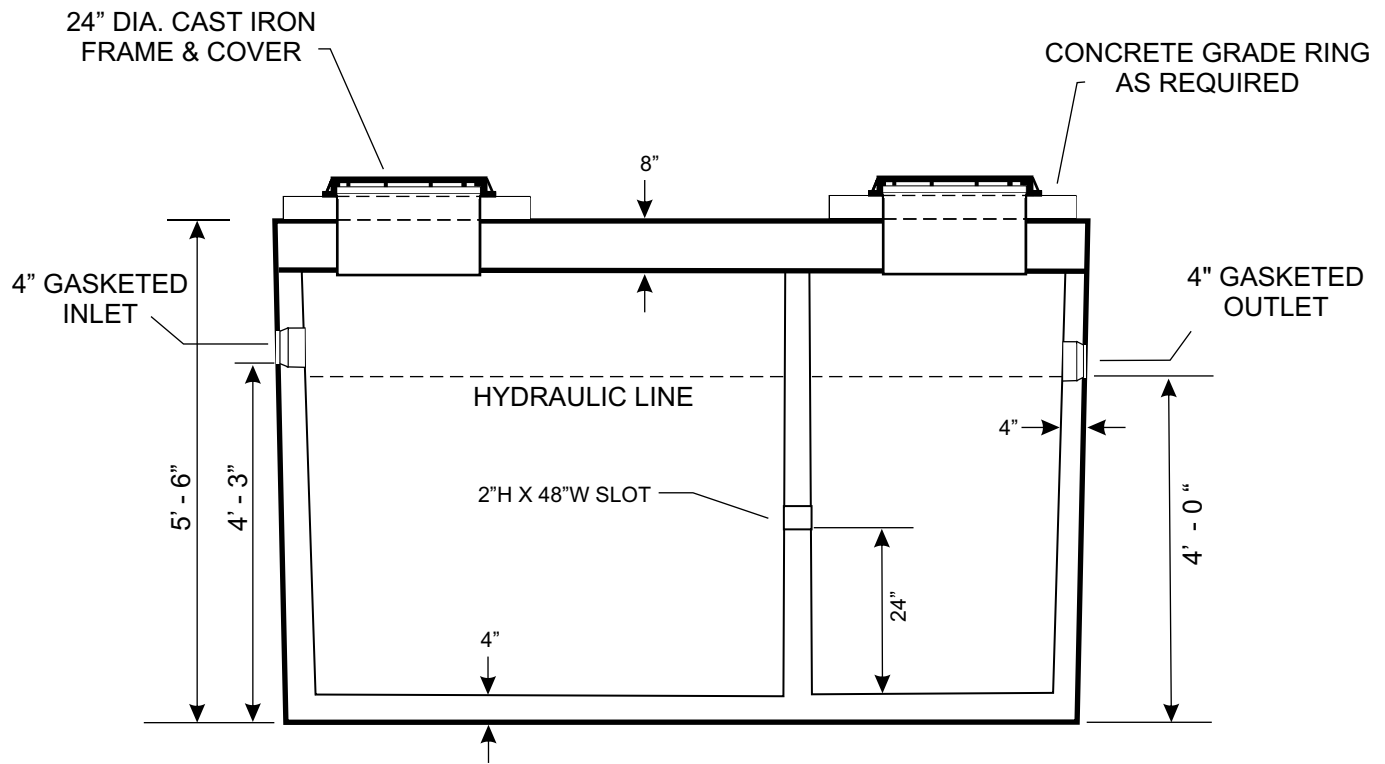


TOP VIEW



SECTION VIEW



www.baystarprecast.weebly.com

Since 1989

925 Skidders Turn Road  
Owings, Maryland 20736-0959

410.257.6777 FAX: 410.257.1312  
e-mail: baystarprecast@gmail.com

## 1500 GALLON 2 COMP GREASE INTERCEPTOR-AA TRAFFIC BEARING

**GENERAL NOTES:** CONCRETE STRENGTH 4000 PSI AT 28 DAYS  
REINFORCING DETAIL: 6X6 #10 GAUGE WIRE MESH;  
TOP HAS A DOUBLE MAT OF #3 BARS 6" O/C; BOTTOM HAS  
#3 BAR 6" O/C; BOTTOM HAS #3 BAR 12" O/C..

REV043014

1500 2C GI TR AA

NO SCALE