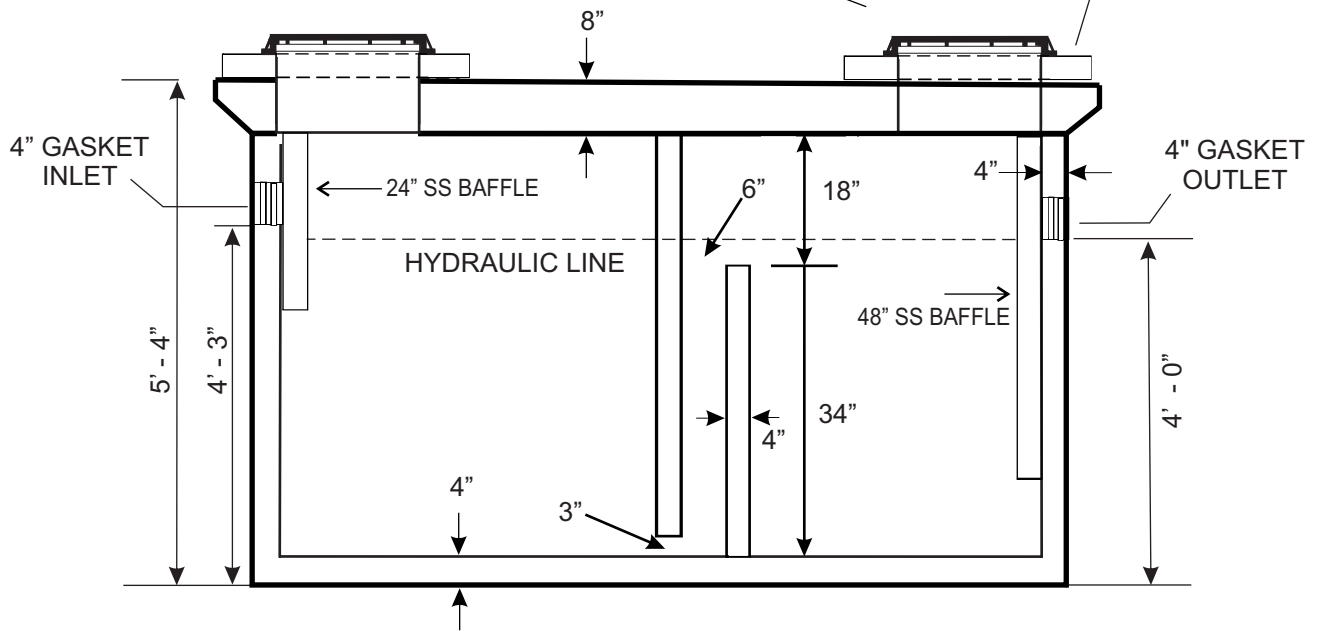


TOP VIEW

24" DIA. CAST IRON
FRAME & COVER

CONCRETE GRADE RING
AS REQUIRED



SECTION VIEW

STAINLESS STEEL BAFFLES W/ALUMINUM TRACKS
STANDARD 4" INLET; 6" OR 8" INLET BY SPECIAL ORDER



www.baystarprecast.weebly.com

Since
1989

925 Skidders Turn Road
Owings, Maryland 20736-0959

410.257.6777 FAX: 410.257.1312
e-mail: baystarprecast@gmail.com

1000 GALLON WSSC GREASE INTERCEPTOR

GENERAL NOTES: CONCRETE STRENGTH 5000 PSI AT 28 DAYS

Designed for Maximum 5' Cover

REV101416

1000 WSSC GI

No Scale